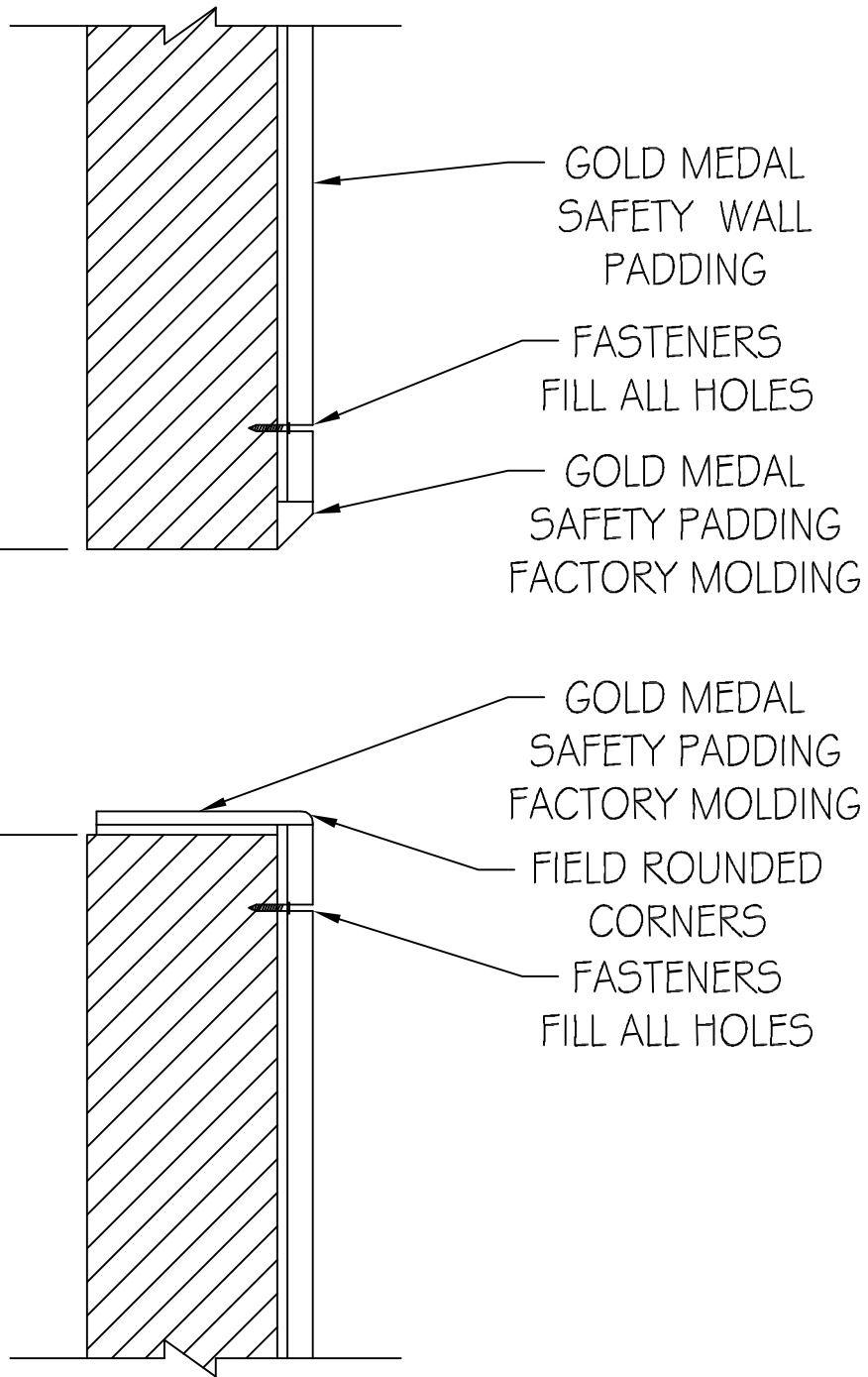
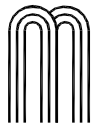


WINDOW MUST HAVE A  
MINIMUM OF 1/2" CLEARANCE  
TO BE ABLE TO FASTEN  
INSIDE OF THE SILLS



 = EXISTING WALL

WINDOW OPENING  
DETAIL



MARATHON ENGINEERING CORP..

5615 2nd ST.. WEST  
LEHIGH ACRES, FL. 33971

DRAWING # 12  
SHEET 13

**GOLD MEDAL SAFETY PADDING**

DETENTION AND PSYCHIATRIC FACILITIES